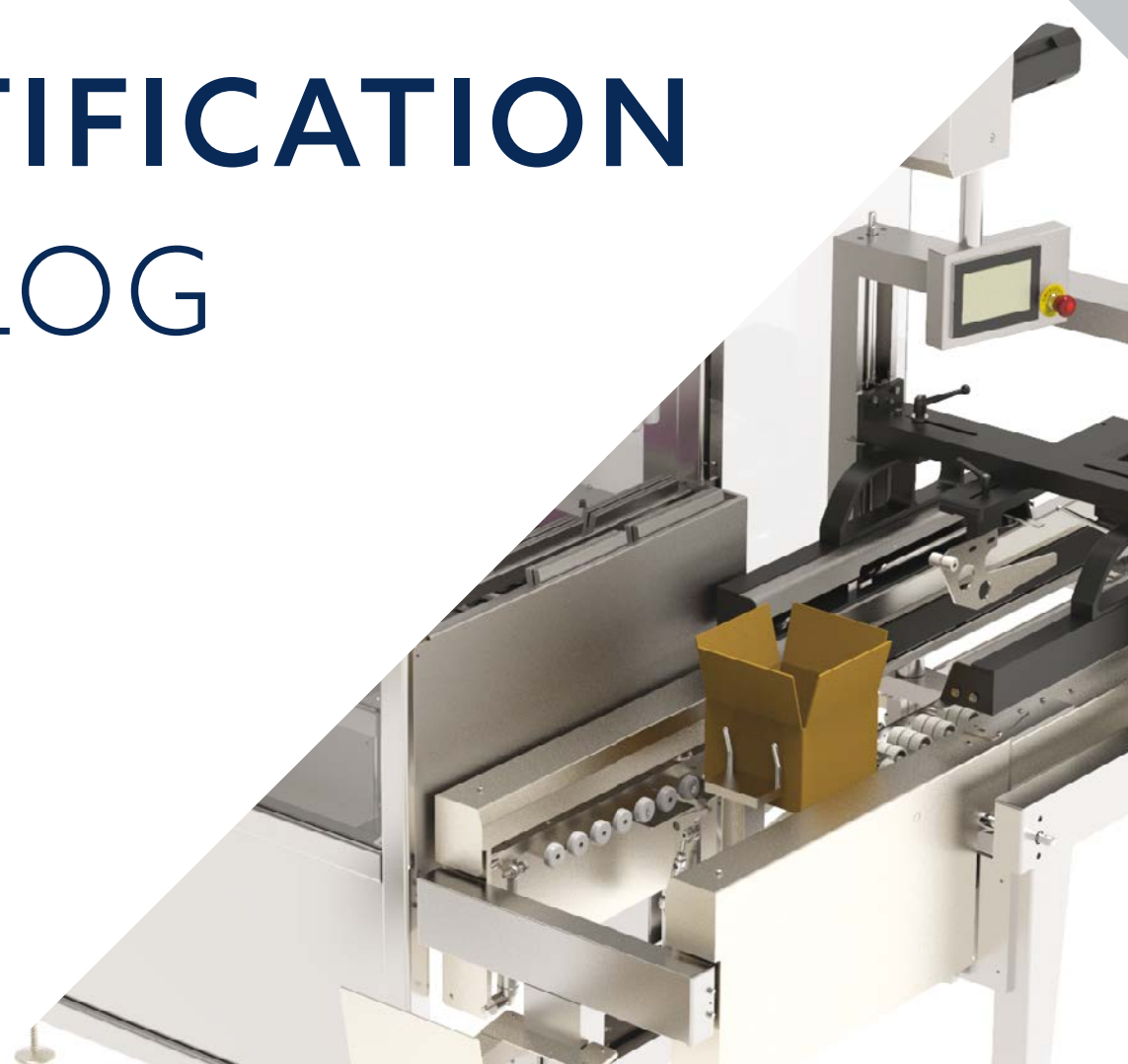




////////////////////

TRACK & TRACE PRODUCT IDENTIFICATION CATALOG



For labeling, coding, inspecting, associating and packing of serialized products, you can count on NJM as your single source supplier to comply with your serialization implementation. This includes a full range of Print & Apply labeling machines capable of handling a wide variety of applications for Serialization & RFID.



Thermal Transfer Printer

Label It

NJM Packaging labelers can be fitted to the Bottle Tracker for coding and inspecting to meet serialization compliances. Rockwell or B&R electronic controls and up-to-date container handling features mean that your NJM labeler will become a trusted part of your labeling and serialization operation, throughout its long life of service.



Bottle Tracker to Associate the Container and the Label

Track It

NJM provides the total solution for Pharmaceutical Track and Trace. Our Bottle Tracker will associate the container and the label providing the right solution for your serialization compliance.



Pack & Associate Containers and Case

Pack It

The all new Cumulus™ SLPP-15 Case Packer designed to automate the end-of-line solution. This compact modular machine has a small footprint with ready to integrate cameras for serialization aggregation. The design is developed to help pharmaceutical manufacturers and contract packers quickly and easily comply with traceability requirements while automating their end-of-line processes to increase productivity



Print & Apply Top
Application for Bundles



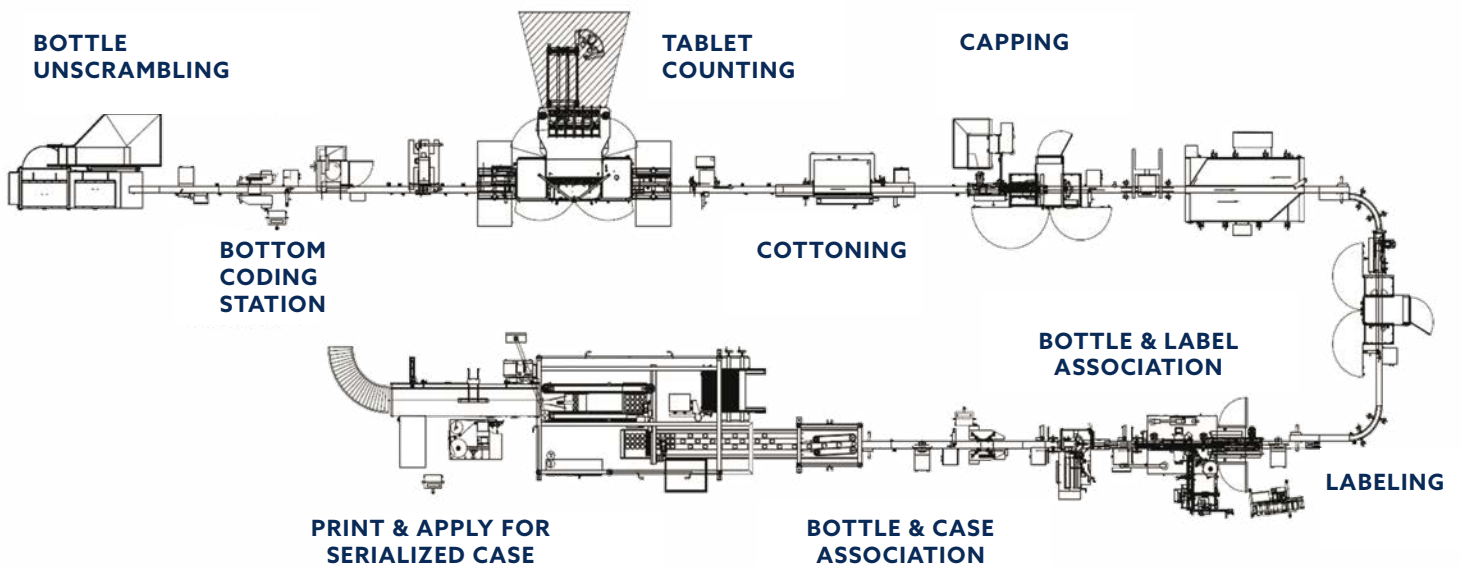
Print & Apply Side Application for Cases

Print & Apply It

Versatile Print & Apply Labeler Model 403 achieves vertical and horizontal labeling of bundles and cases at speeds up to 60 products per minute. This Print & Apply Labeler, when equipped with optional application tools, can apply side labels, top labels, corner wrap labels and two-panel labels, as well as support serialization using the Zebra ZE-500 print engine.



Complete Turnkey Line including Serialization Solutions





PROMACH®



The world's proven, trusted, single-source provider of automated packaging machinery for pharmaceutical, nutraceutical, and personal care products, NJM offers both stand-alone solutions and integrated systems for packagers of solid dose and liquid pharmaceuticals, biopharmaceuticals, vitamins, and food supplements. As part of the ProMach Pharma business line, NJM helps our customers protect and grow the reputation and trust of their consumers. ProMach is performance, and the proof is in every package. Learn more about NJM at NJMPackaging.com and more about ProMach at ProMachBuilt.com.

USA: Lebanon, NH
Canada: Montreal, QC
P: 800-811-6990
E: NJM@ProMachBuilt.com
NJMPackaging.com



SCAN FOR MORE INFO
ON SERIALIZATION