



MODEL FINAL TOUCH™ 403 PRINT & APPLY



Compliant for serialized labeling of cartons, bundles and cases

This versatile Print & Apply Labeler achieves vertical and horizontal labeling of bundles and cases at speeds up to 60 products per minute. The Print & Apply Labeler, when equipped with optional application tools, can apply side labels, top labels, corner wrap labels, as well as support serialization using the Zebra ZE-500 print engine.

The ease of no tool adjustment and changeover provides an operator friendly machine with independently driven rewind with collapsible spindle, quick disconnect & plug in sensors, operator adjustable pneumatic regulator controls and a low air pressure switch. The best result of this machine is a customer with a fully automatic carton, case and bag labeler at the end of the packaging line.

FEATURES AND BENEFITS

- Compact design
- Heavy-duty painted steel floor base including leveling pads and casters for easy portability
- Heavy-duty powder coated aluminum vertical column mount with screw height adjustment, reference scale and crank handle
- PLC Controls
- User-friendly color touchscreen operator interface
- Swiveling yoke for top and side applications
- 14" (356 mm) OD supply reel with 3" (76 mm) ID core and low label detector

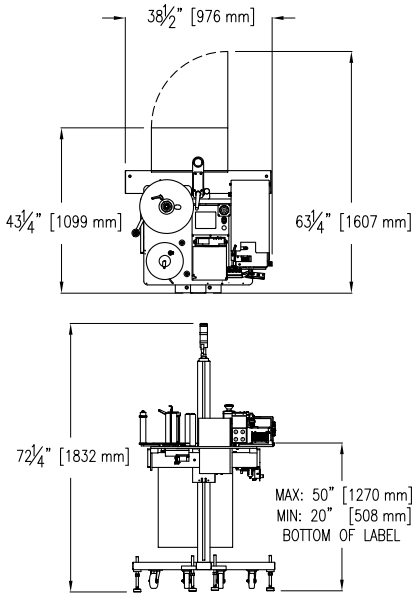
TYPICAL PRODUCT SPECIFICATIONS

Footprint	<i>Top:</i> 72.25" (183 cm), H x 38.5" (98 cm), L x 44.5" (113 cm) W <i>Side:</i> 72.25" (183 cm), H x 38.5" (98 cm), L x 43.25" (110 cm) W
Speed	Up to 60 ppm
Product Type	Cartons, bundles and cases

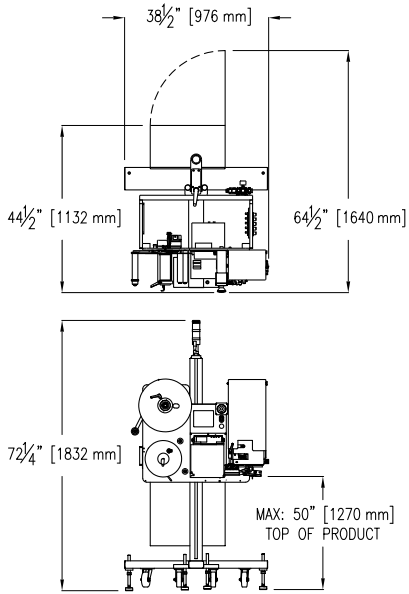
Label dimensions (dependent on the applicator)	1" (25 mm), H x 2" (50 mm) L minimum label size 5" (127 mm), H x 12" (305 mm) maximum label size
Electrical Requirements	120V / 60 Hz / 1 Ph / 5 Amps
Air Requirements	80 PSIG @ 5 SCFM

CONFIGURATION

Side Application



Top Application



OPTIONS

- Label applicators for various applications:
 - Side In-Motion device
 - Side or Top tamp device (standard and extended stroke) with smart feature
 - Side Chaser roll
 - Side 2-Panel/Brush
 - Side High Speed Front/Corner Leading
- Powered or non-powered top hold down roller assemblies
- Beacon light
- Label Inspection and reject system
- Product conveyor
- Validation package

PRODUCT OPERATION



OVERHEAD VIEW OF HORIZONTAL 403



VERTICAL VIEW OF 403



403 GAUGES VIEW