



COURSER™

230 VIAL/SYRINGE LABELER



Vial / Syringe Labeler designed for personalized medicine packaging

This machine has a simple, quick & tool-less changeover, easy access to all machine accessories and simple instructions, to reduce downtime between batches. It is compact to allow floor space optimization in pharmaceutical, biotech and vitamin manufacturing plants. This all new Courser™ Vial / Syringe labeler is designed to meet the growing needs from biotech companies and 503B pharmacies for personalized medicine packaging. The Courser is designed to run syringes & vials on the same machine respectively, at speeds up to 250 ppm for vials and 200 ppm for syringes.

FEATURES AND BENEFITS

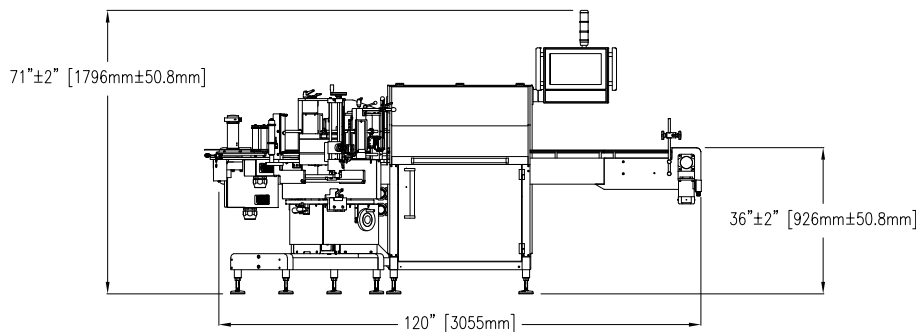
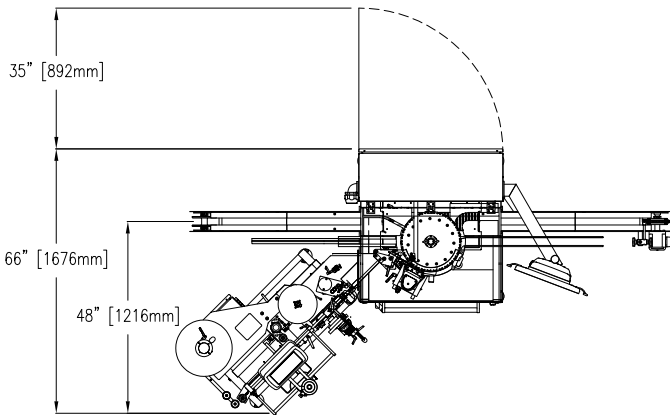
- Flexible production (compatibility of vial & syringe on the same machine)
- Quick & tool-less changeover for simplicity
- Compact footprint for space saving
- Reduce downtime between batches
- Designed to meet the growing demand for small batch manufacturing of personalized medicines (503B pharmacy)
- Continuous motion up to 250 / min
- Speed for vial: 250 ppm
- Speed for syringe: 200 ppm
- GMP Design
- Syringe orientation mode for specific label placement

NJM COURSER™ 230 VIAL/SYRINGE LABELER

TYPICAL PRODUCT SPECIFICATIONS

Vial Diameter	9/16" (14mm) to 2" (50mm)
Vial Height	3/4" (20mm) to 3 3/4" (95mm)
Syringe Diameter	1/4" (7mm) to 1 1/4" (32mm)
Syringe Length	2 3/16" (55mm) to 5 3/8" (137mm) (from flange to end of product)
Label Height	5/8" (16mm) to 3 1/2" (89mm)
Label Length	5/8" (16mm) to 6 1/2" (165mm)

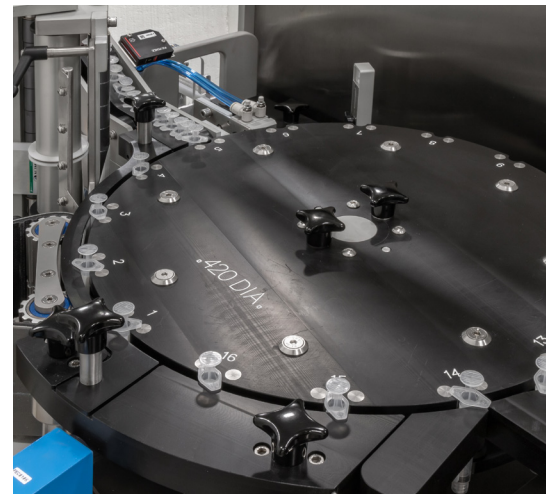
Air Requirement	90 PSI, 2 SCFM (6.2 bar, 57 L/min)
Power Supply	208 - 240VAC, 3PH
Floor Length	120" (304 cm)
Floor Height	71" +/-2" (180 cm)
Floor Width	66" (168 cm)



OPTIONS

- Serialization ready
- Label Removal System *
- Optional orienting of syringe for precise label placement
- Printers
- Inspection Systems

*Patented Label Removal System (US Patent No. 8,052,835 f& CAN Patent No. 2,665,810)



©2019 ProMach Inc. ProMach reserves the right to change or discontinue specifications and designs shown in this brochure without notice or recourse
578709 - NJM - Courser Spec Sheet_01-20-20

PHONE
800-811-6990

EMAIL
NJM@ProMachBuilt.com

WEB
NJMPackaging.com

USA: Moorestown, NJ
Canada: Montreal, QC